

ANTİGRİZÜ KÖR TAPA FIRE DAMP PLUG

PLG

Sınıflandırma / Classification

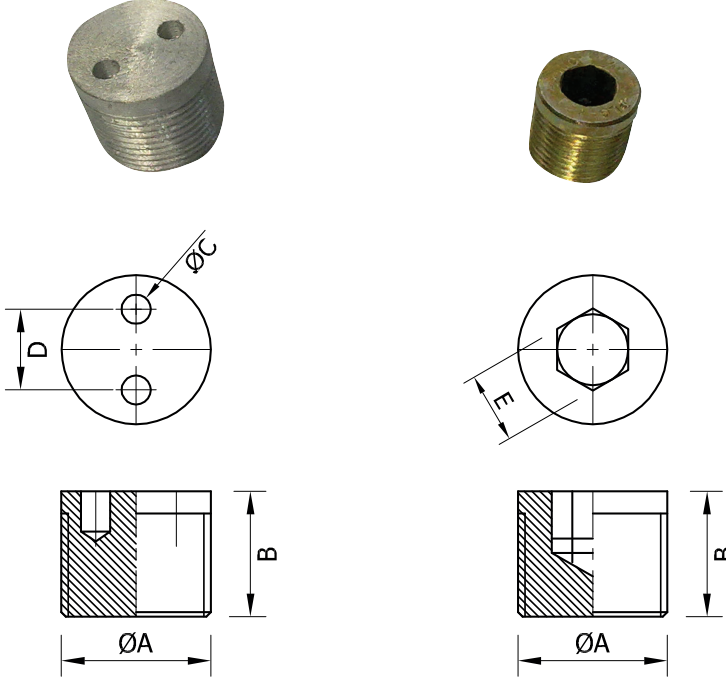
I M2 Ex d I Mb T6 - IP65

Standartlar / Standards

EN 60079-0 / EN 60079-1 / EN 60079-31

Sertifika No. / Certificate No.

SCA 12 ATEX 02XX / TSE 14.31.35-EX175



Rakor Tipi Gland Type	Ağırlık (gram) Weight	Materyal Material	A		B	Anahtar Ölçüsü Wrench Size	
			NPT	METRIC		C x D	E
PLG.1	51	Çelik-Pirinç Steel - Brazen	1/2"	M20x1,5	22	-	AA 10
PLG.2	72		3/4"	M25x1,5	22	-	AA 10
PLG.3	124	Alüminyum / Aluminum	1"	M32x1,5	28	Ø6,5x18	-
PLG.4	153		1 1/4"	M40x1,5	28	Ø8x26	-
PLG.5	175		1 1/2"	M50x1,5	30	Ø8x28	-
PLG.6	181		2"	M60x1,5	30	Ø9x36	-
PLG.7	195		2 1/2"	M75x1,5	33	Ø11x50	-
PLG.8	255		3"	M90x2	35	Ø11x60	-

Ölçüler mm'dir. / Dimensions in mm.

Kaplama/Coating: Sarı - Çinko (Beyaz) - Nikel / Brass (Yellow) - Nickel Plated - Zinc Coated (White)